

Appendix 2

Table of Contents

Figure Number	Title
1	Rainfall Intensity and Duration Curves for Clark County Arkansas
2	Open Channel Type
3	Silt Fence Detail
4	Hay and Embedding Detail
5	Construction Entrance Detail
6	Sediment Barrier at Inlets
7	Typical Detail of Erosion Control Around Inlets
8	Silt Fence Inlet Sediment Filter
9	Vegetated Buffer Strip
10	Description of Inlet Types
11	Description of Inlet Types

FIGURE 1
Rainfall Intensity and Duration Curves
for Clark County Arkansas

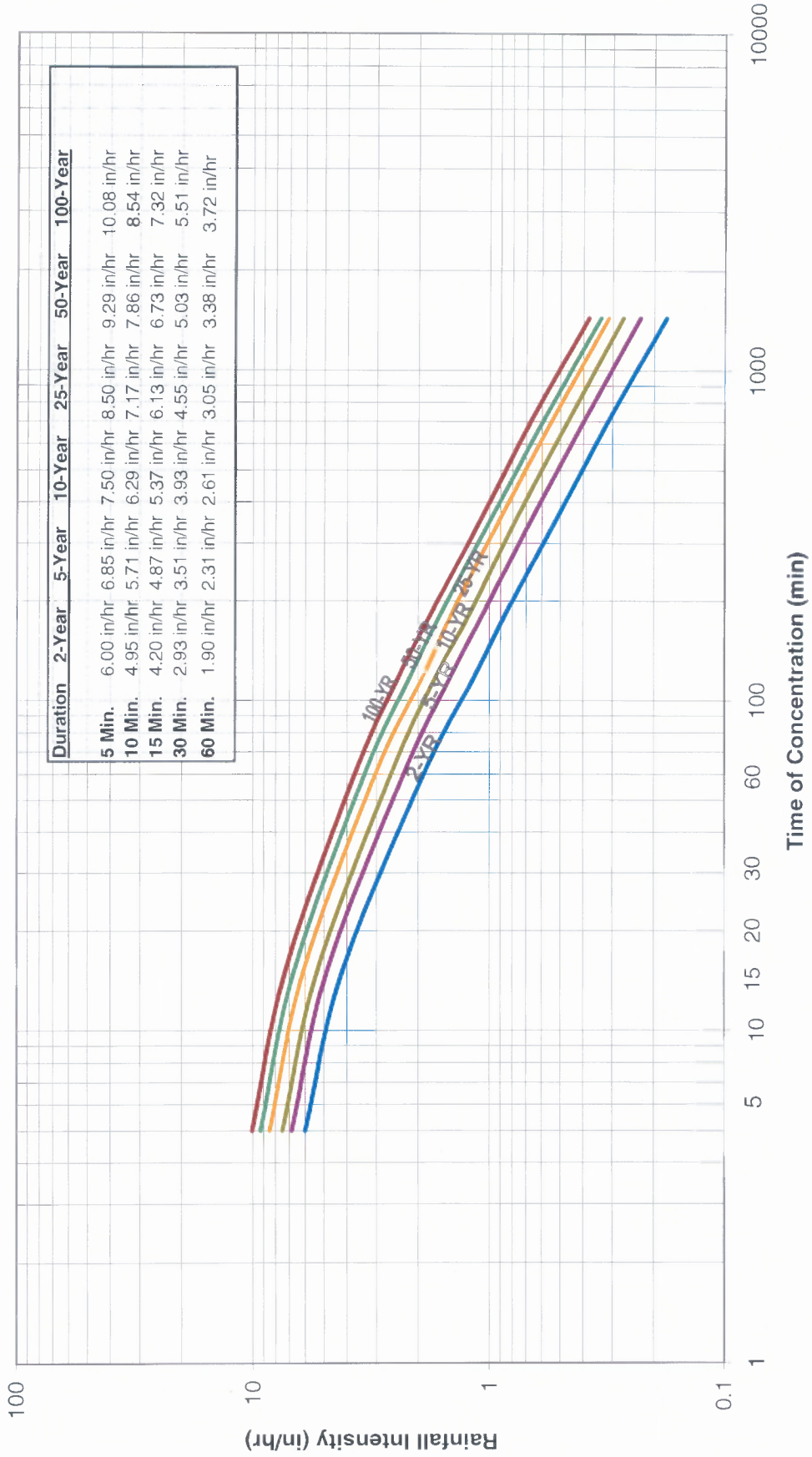
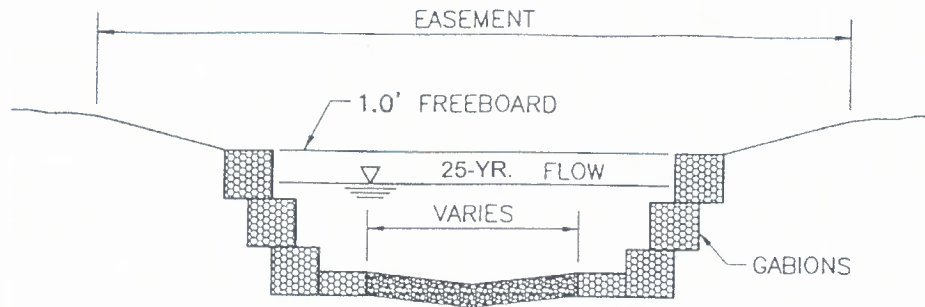
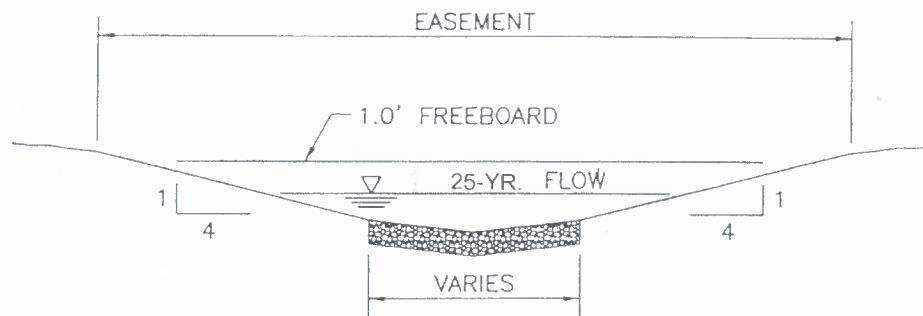


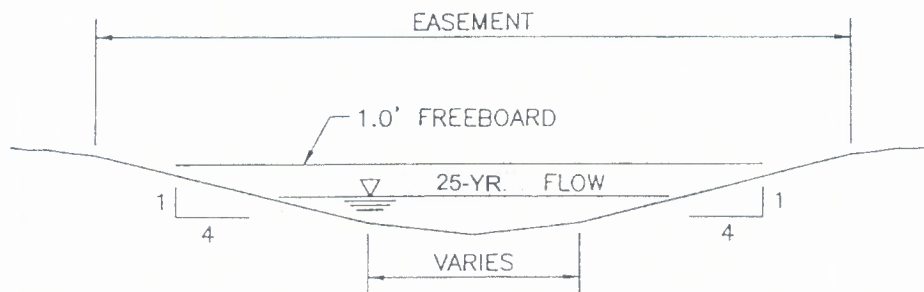
Figure 2
Open Channel Types



TYPICAL CHANNEL IMPROVEMENT WITH GABION LINING
NOT TO SCALE

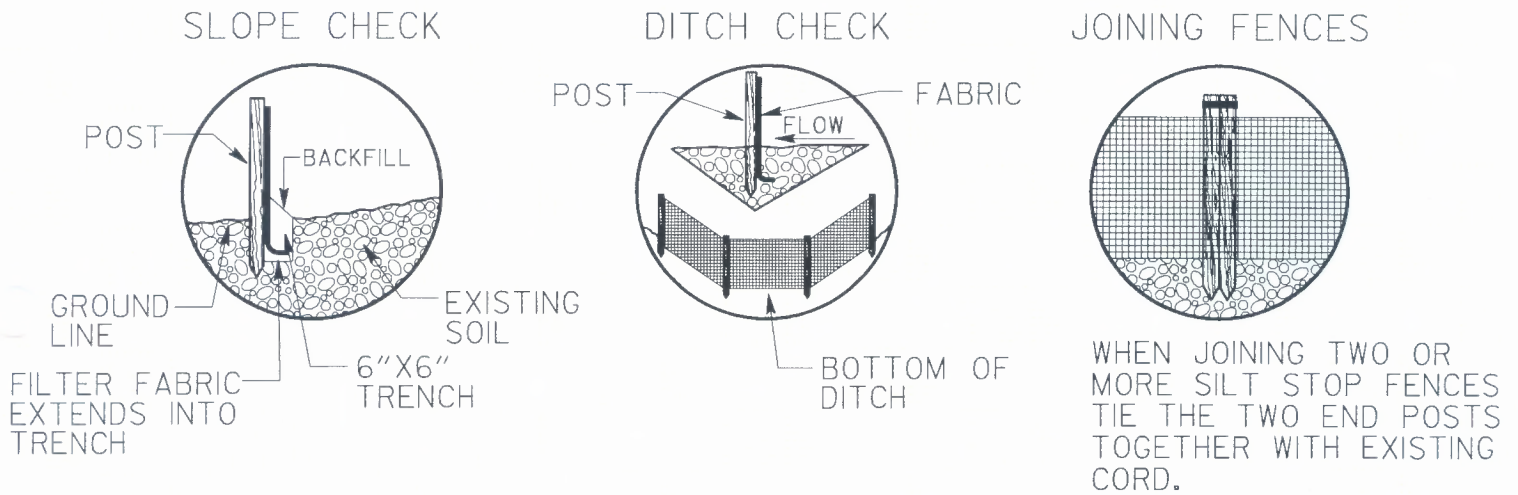


TYPICAL IMPROVED CHANNEL WITH
ROCK PILOT CHANNEL LINING
NOT TO SCALE



TYPICAL IMPROVED UNLINED CHANNEL SECTION

FIGURE 3 SILT FENCE DETAIL



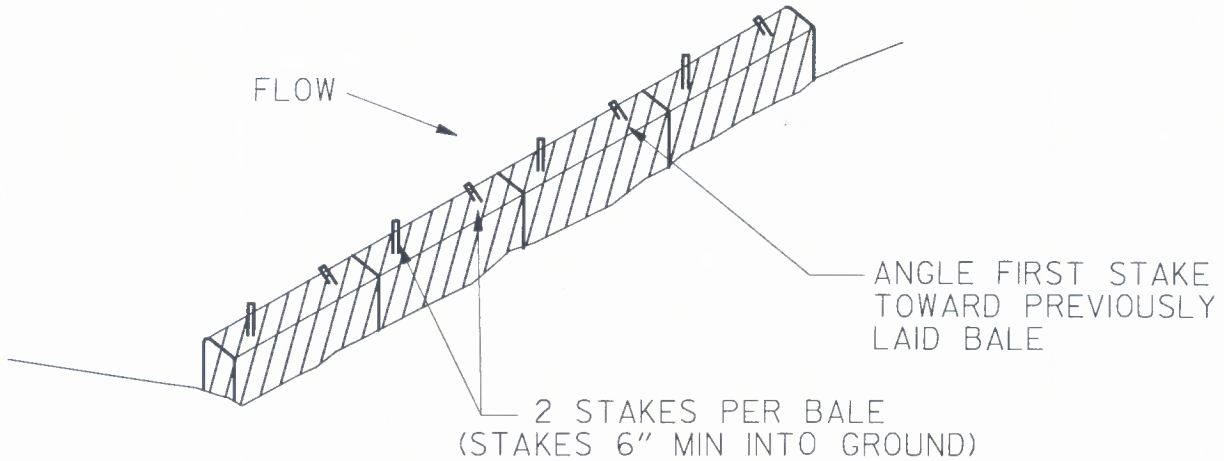
NOTE:

- 1.) SILT FENCE FABRIC SHALL BE MIRAFI 100 X OR EQUAL.
- 2.) INSTALL SILT FENCES AND HAY BALES AT LOCATIONS DIRECTED BY OWNER.
- 3.) FENCE POSTS SHALL BE GALVANIZED STEEL AND MAY BE ROLLED, FORMED OR TUBULAR IN SECTION. "T" POSTS MAY BE USED WHEN IN CONFORMANCE WITH SPECIFICATION.

(NOT TO SCALE)

FIGURE 4

HAY BALE DETAIL

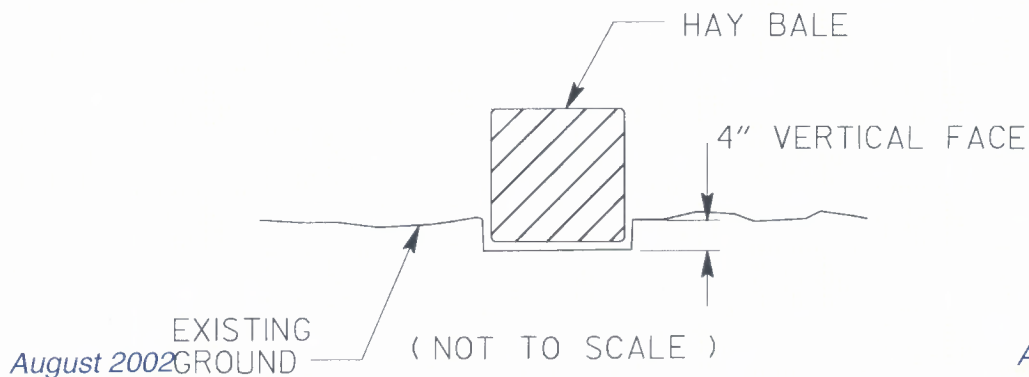


(NOT TO SCALE)

NOTE:

HAY BALES SHALL BE EMBEDDED A MINIMUM OF FOUR (4) INCHES AND SECURELY ANCHORED USING $\frac{3}{8}$ " DIAMETER STEEL STAKES OR 2" x 2" WOOD STAKES DRIVEN THROUGH THE BALES INTO THE GROUND A MINIMUM OF SIX (6) INCHES.

EMBEDDING DETAIL



EXISTING
August 2002 GROUND

(NOT TO SCALE)

FIGURE 5
CONSTRUCTION ENTRANCE DETAIL

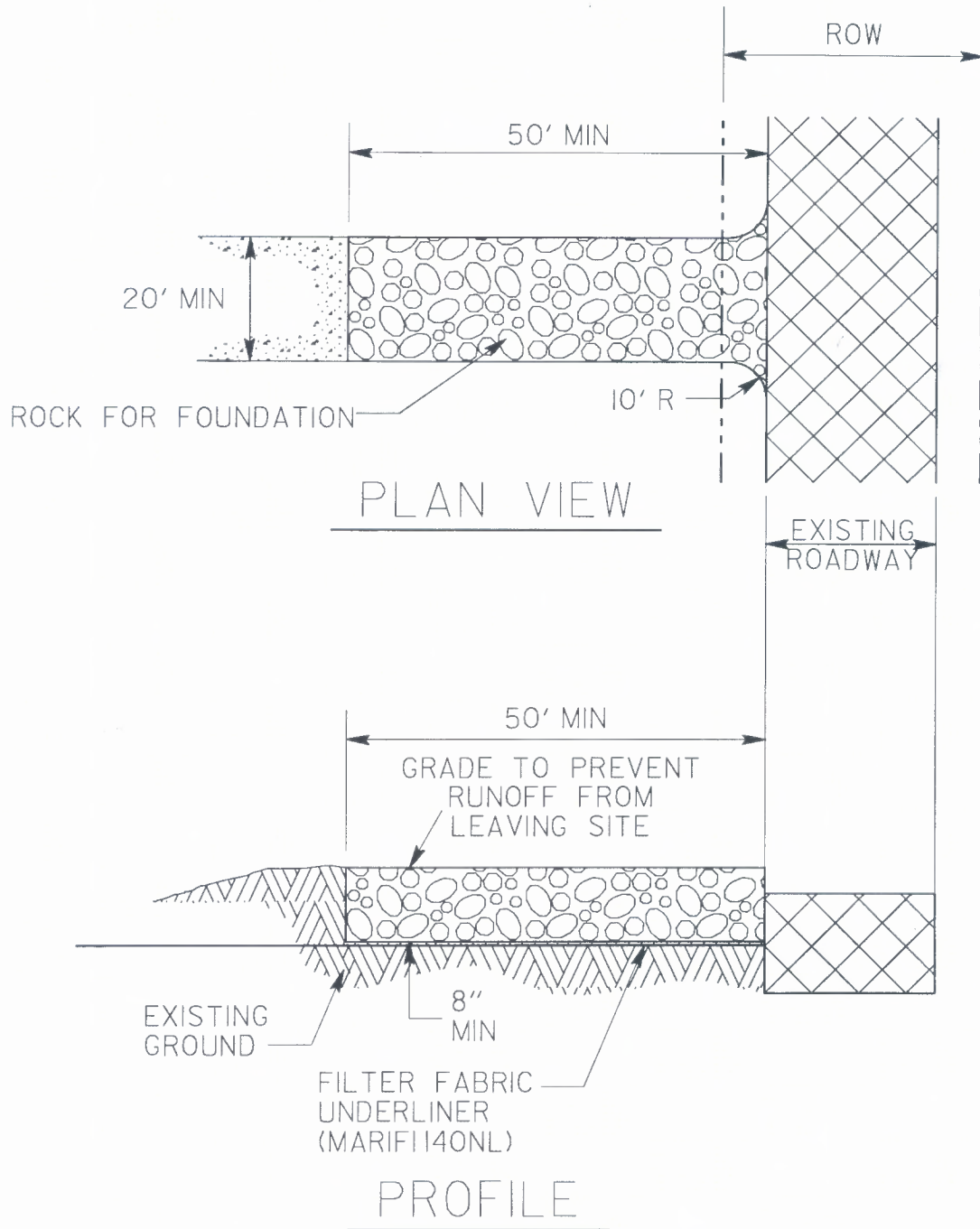
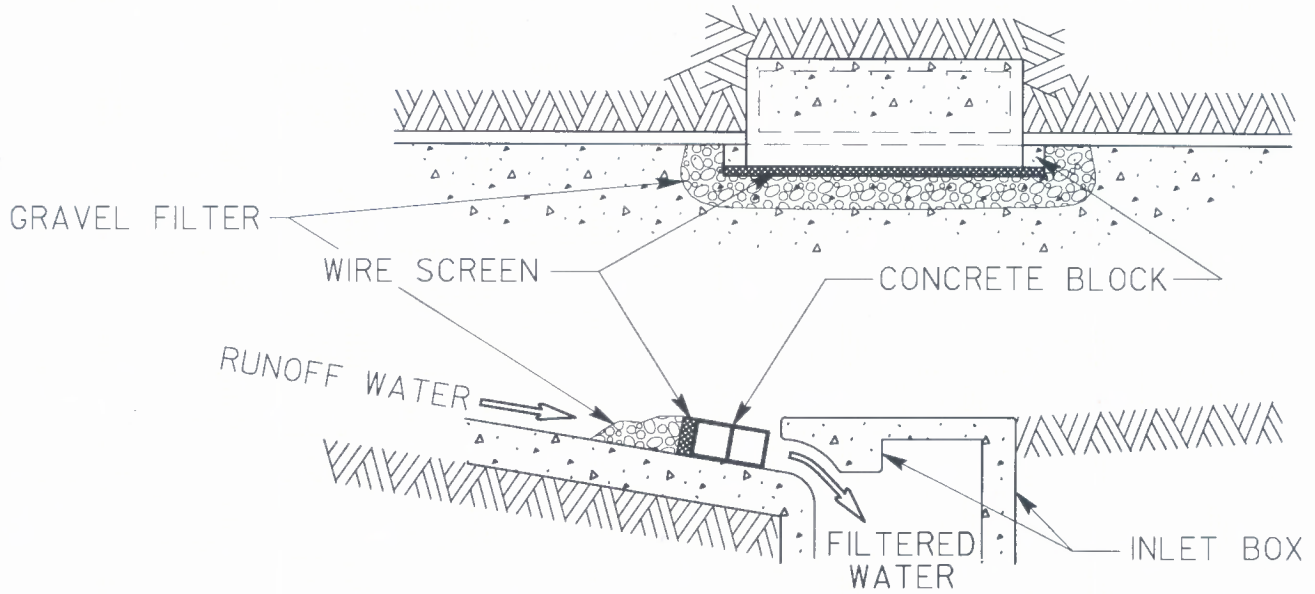


FIGURE 6

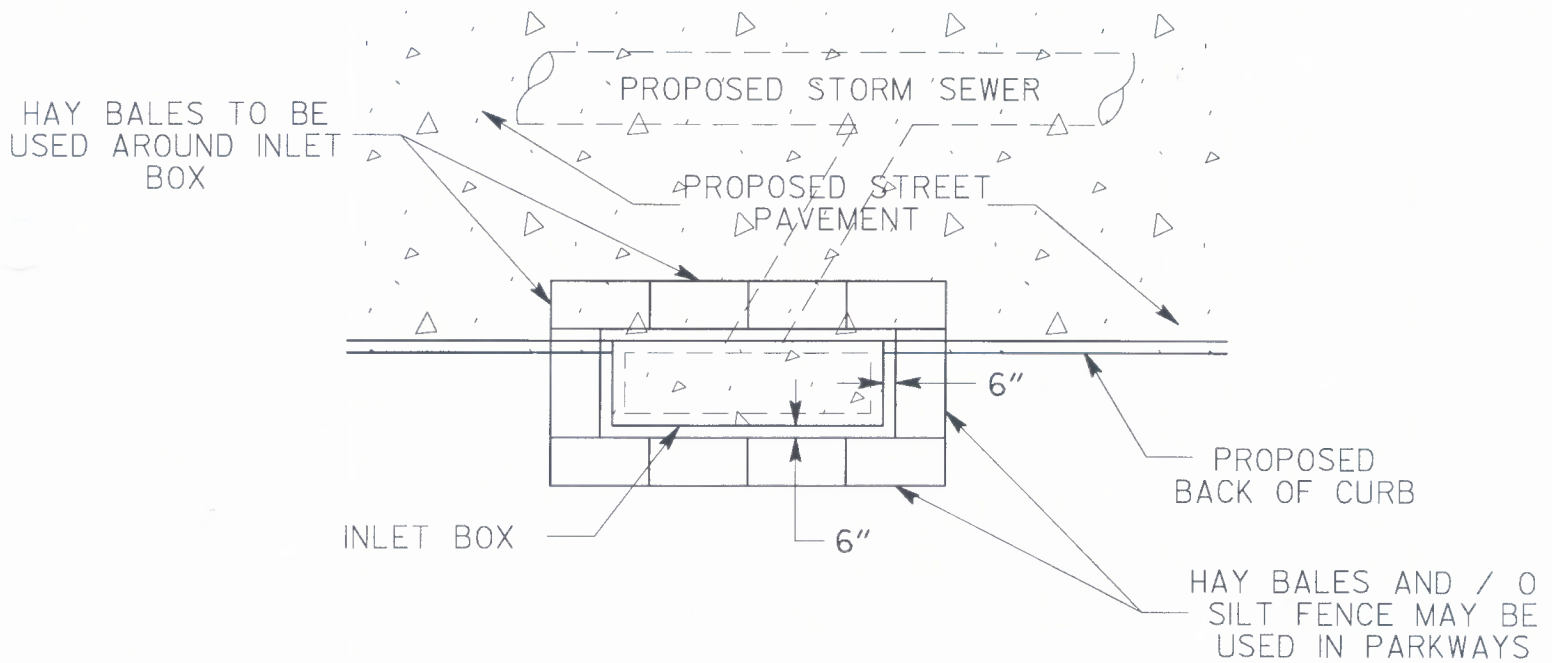
SEDIMENT BARRIER AT INLETS



(NOT TO SCALE)

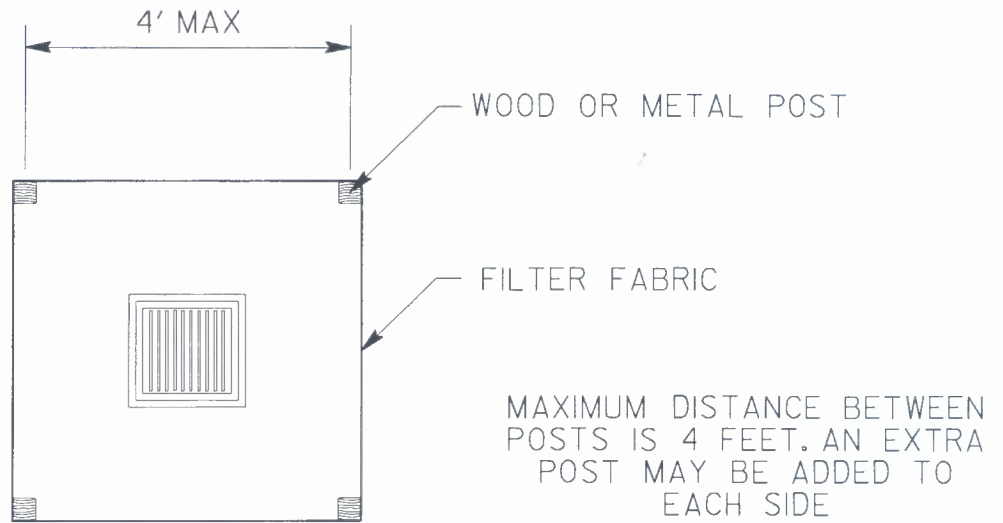
FIGURE 7

TYPICAL DETAIL OF EROSION
CONTROL AROUND INLETS



DURING UTILITY CONSTRUCTION
(NOT TO SCALE)

FIGURE 8
SILT FENCE INLET SEDIMENT FILTER

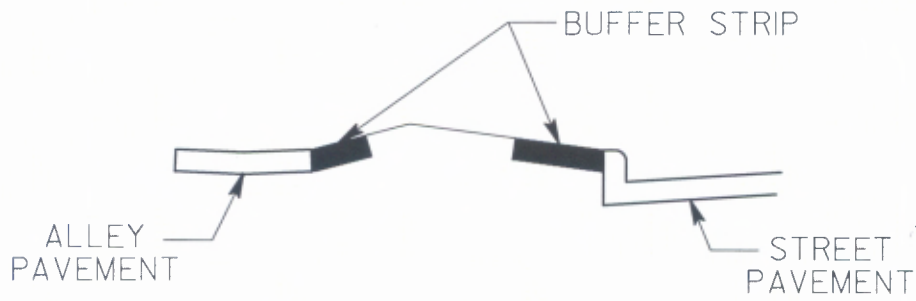


NOTE:
BOTTOM OF THE FILTER FABRIC IS BURIED IN TRENCH
THE SAME AS WHEN IT IS INSTALLED AS A SILT FENCE
SEE SILT FENCE DETAIL, THIS SHEET

(NOT TO SCALE)

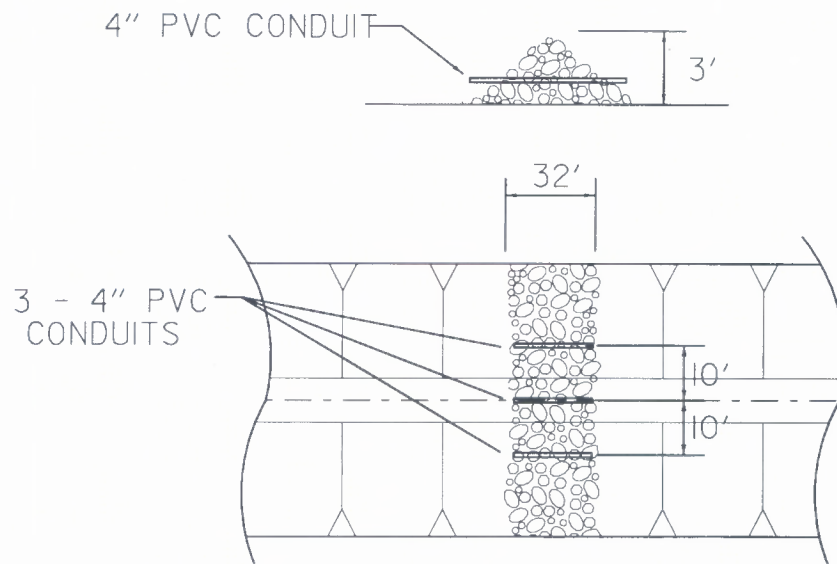
FIGURE 9

VEGETATED BUFFER STRIP



(NOT TO SCALE)

FIGURE 10 ROCK FILTER DAM



(NOT TO SCALE)

Figure 11
Description of Inlet Types

